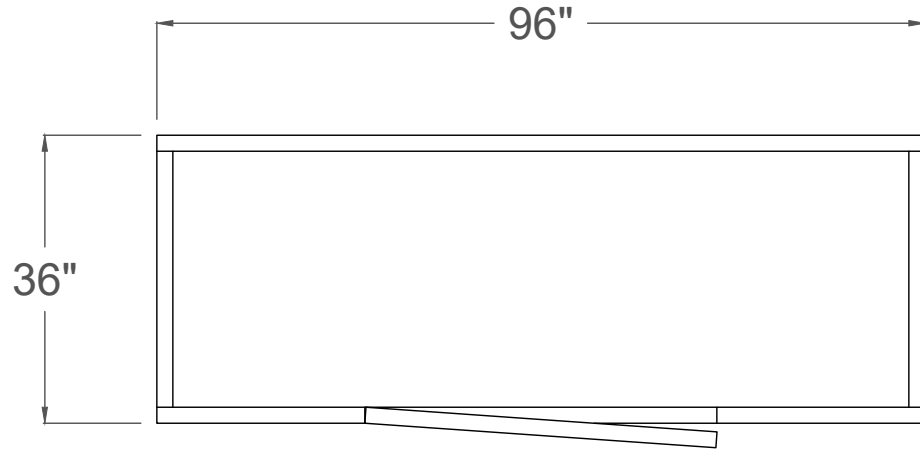
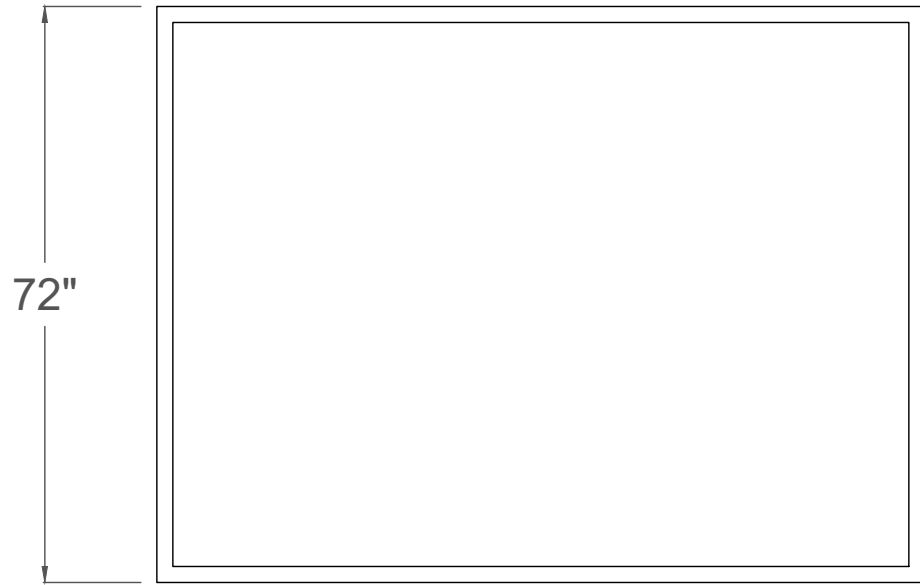


DRAWING SCHEDULE 3" SIDE WITH HOSE BIB

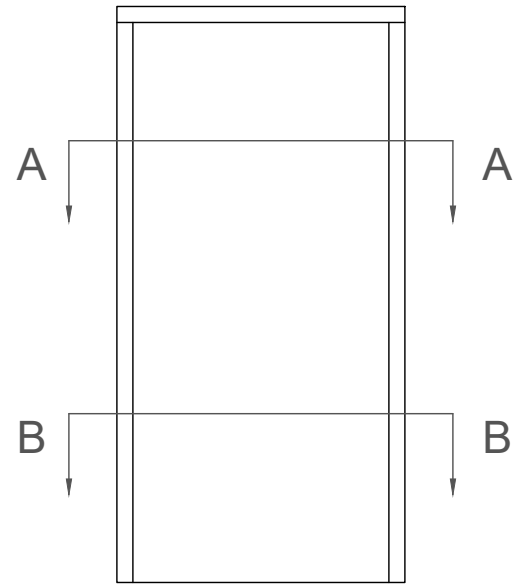
PDF LABEL	DRAWING NUMBER	DRAWING NAME
A3SHB1	1 of 9	ENCLOSURE LAYOUT
A3SHB2	2 of 9	ENCLOSURE LAYOUT SECTION A-A
A3SHB3	3 of 9	ENCLOSURE LAYOUT SECTION B-B
A3SHB4	4 of 9	COMPONENT LAYOUT
A3SHB5	5 of 9	ELECTRICAL COMPONENTS
A3SHB6	6 of 9	PLUMBING COMPONENTS
A3SHB7	7 of 9	PLUMBING / ELECTRICAL
A3SHB8	8 of 9	SLAB LAYOOUT DETAIL
A3SHB9	9 of 9	SAMPLE SITE DRAWING
A3SHB		DRAWING SCHEDULE



TOP



FRONT



SIDE

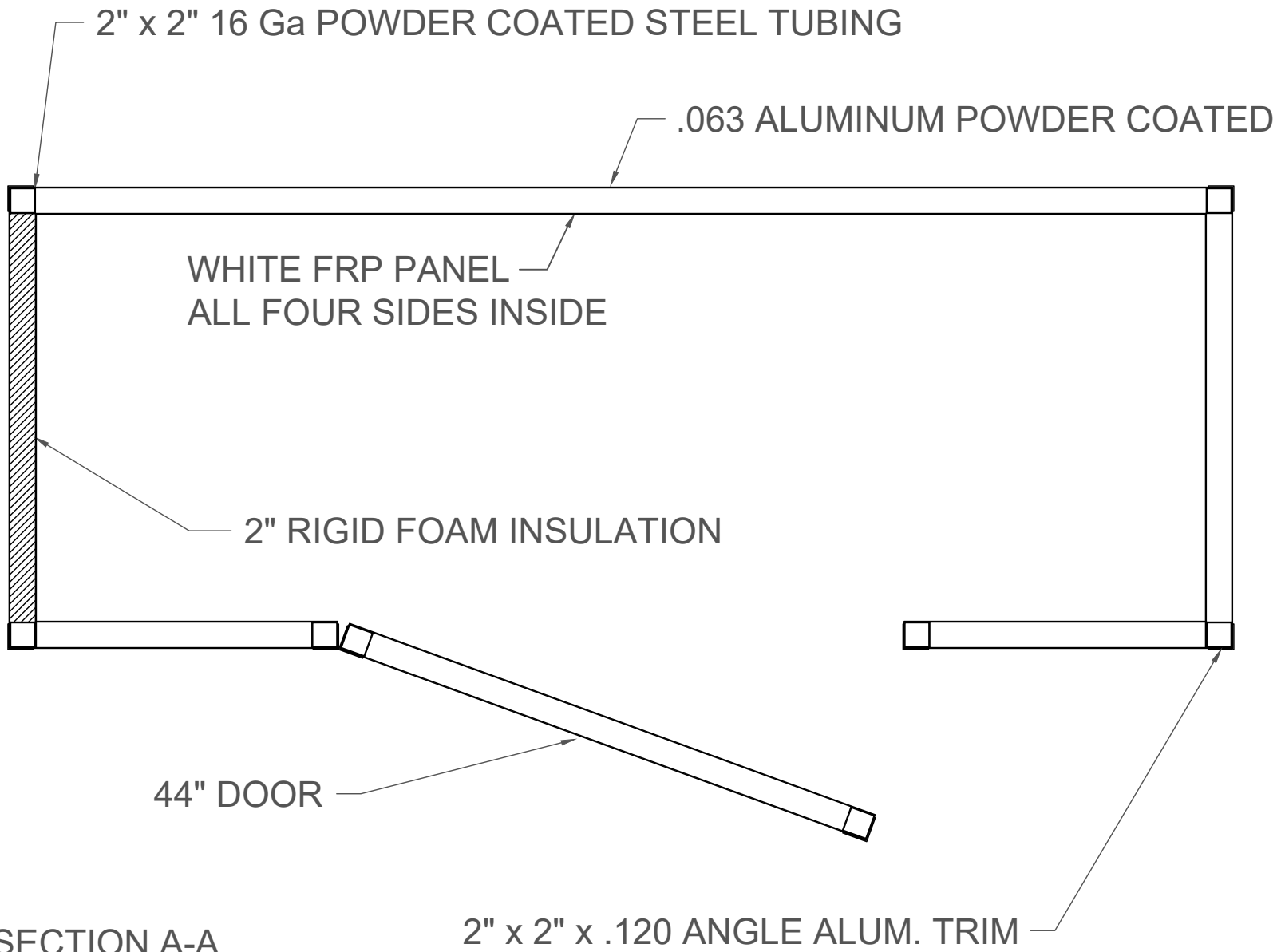
AQUA FLOW INT'L. INC.  
 P.O. BOX 2841  
 FLAGSTAFF, AZ. 86003  
 (928) 380-6164



3" SIDE WITH HOSE BIB  
 LOADING STATION

ENCLOSURE LAYOUT

SCALE: 1/2" = 1'-0"

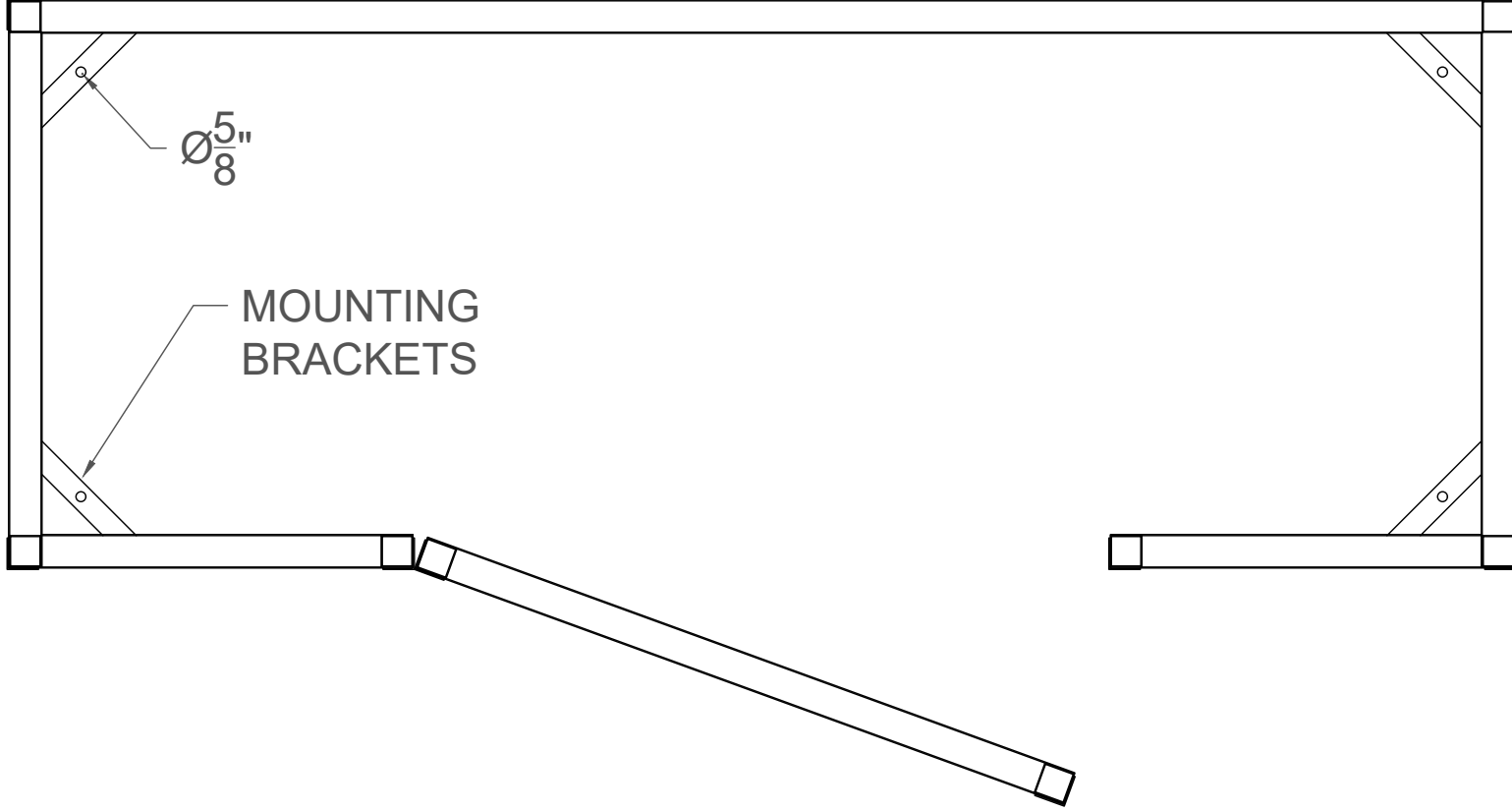


AQUA FLOW INT'L. INC.  
P.O. BOX 2841  
FLAGSTAFF, AZ. 86003  
(928) 380-6164



3' SIDE WITH HOSE BIB  
LOADING STATION  
ENCLOSURE LAYOUT  
SECTION A-A  
SCALE: 1" = 1'-0"

SECTION B-B



MOUNTING  
BRACKETS

$\varnothing \frac{5}{8}$ "

3" SIDE WITH HOSE BIB  
LOADING STATION

ENCLOSURE LAYOUT  
SECTION B-B

SCALE: 1" = 1'-0"

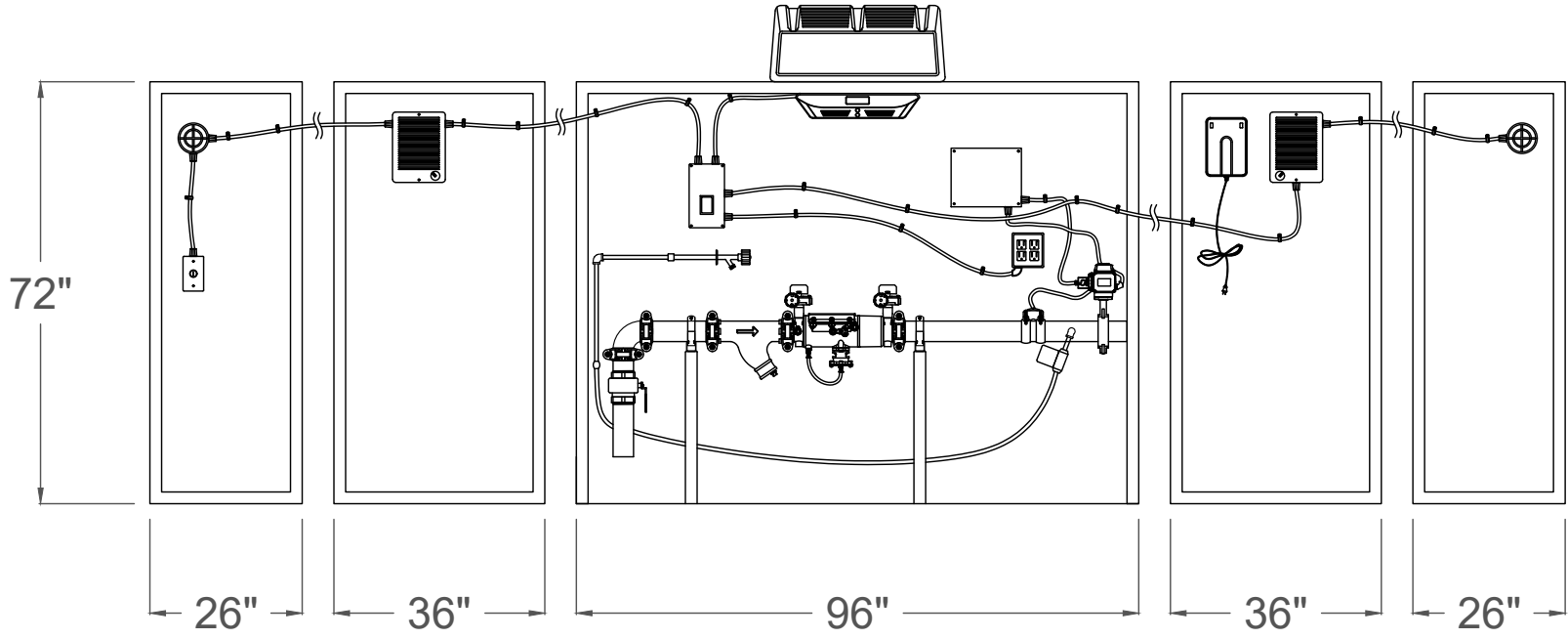
3

OF

9



AQUA FLOW INT'L. INC.  
P.O. BOX 2841  
FLAGSTAFF, AZ. 86003  
(928) 380-6164



3" SIDE WITH HOSE BIB  
LOADING STATION

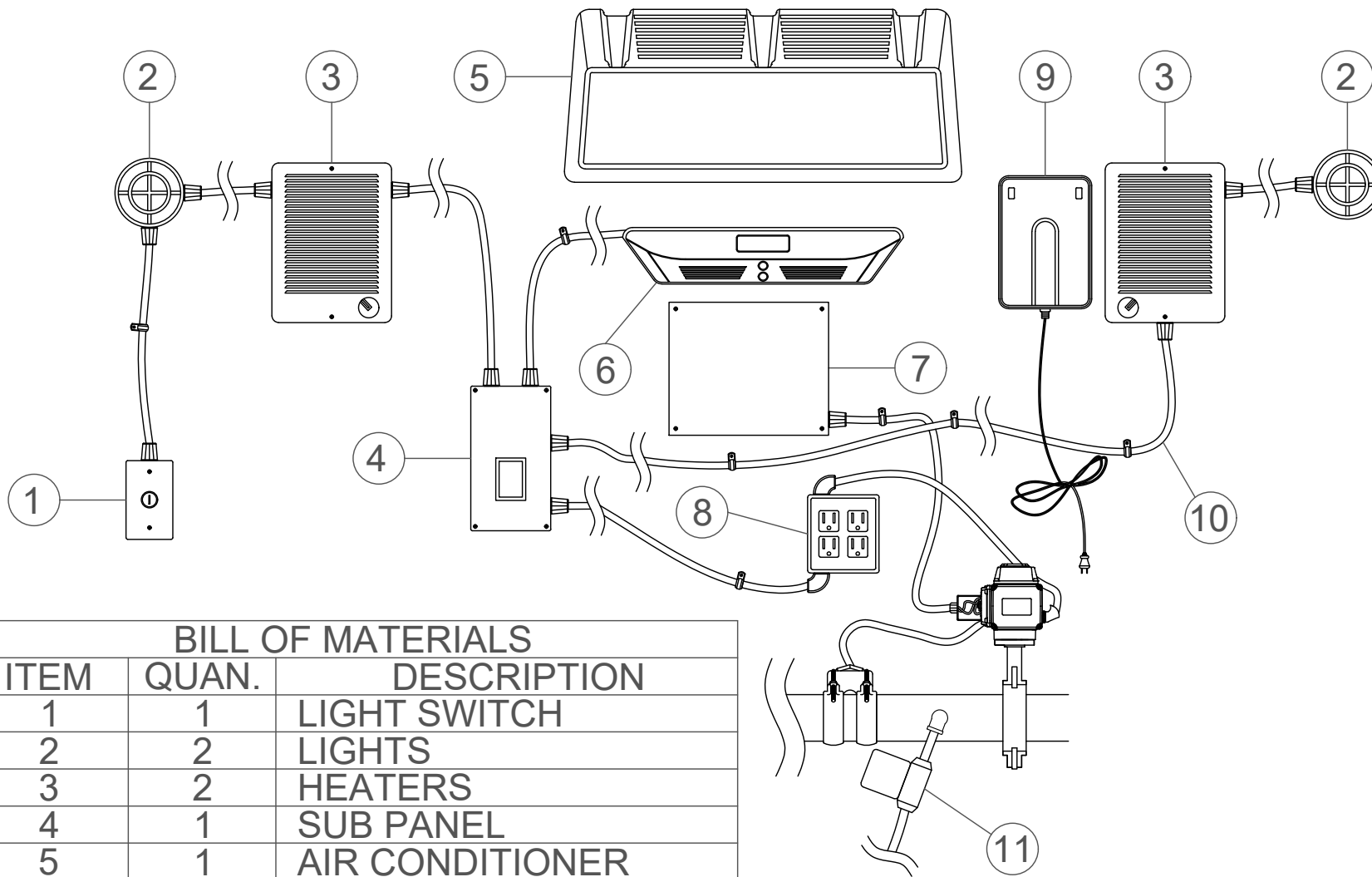
COMPONENT LAYOUT

SCALE: 3/8" = 1'-0"

4 OF 9



AQUA FLOW INT'L. INC.  
P.O. BOX 2841  
FLAGSTAFF, AZ. 86003  
(928) 380-6164



**BILL OF MATERIALS**

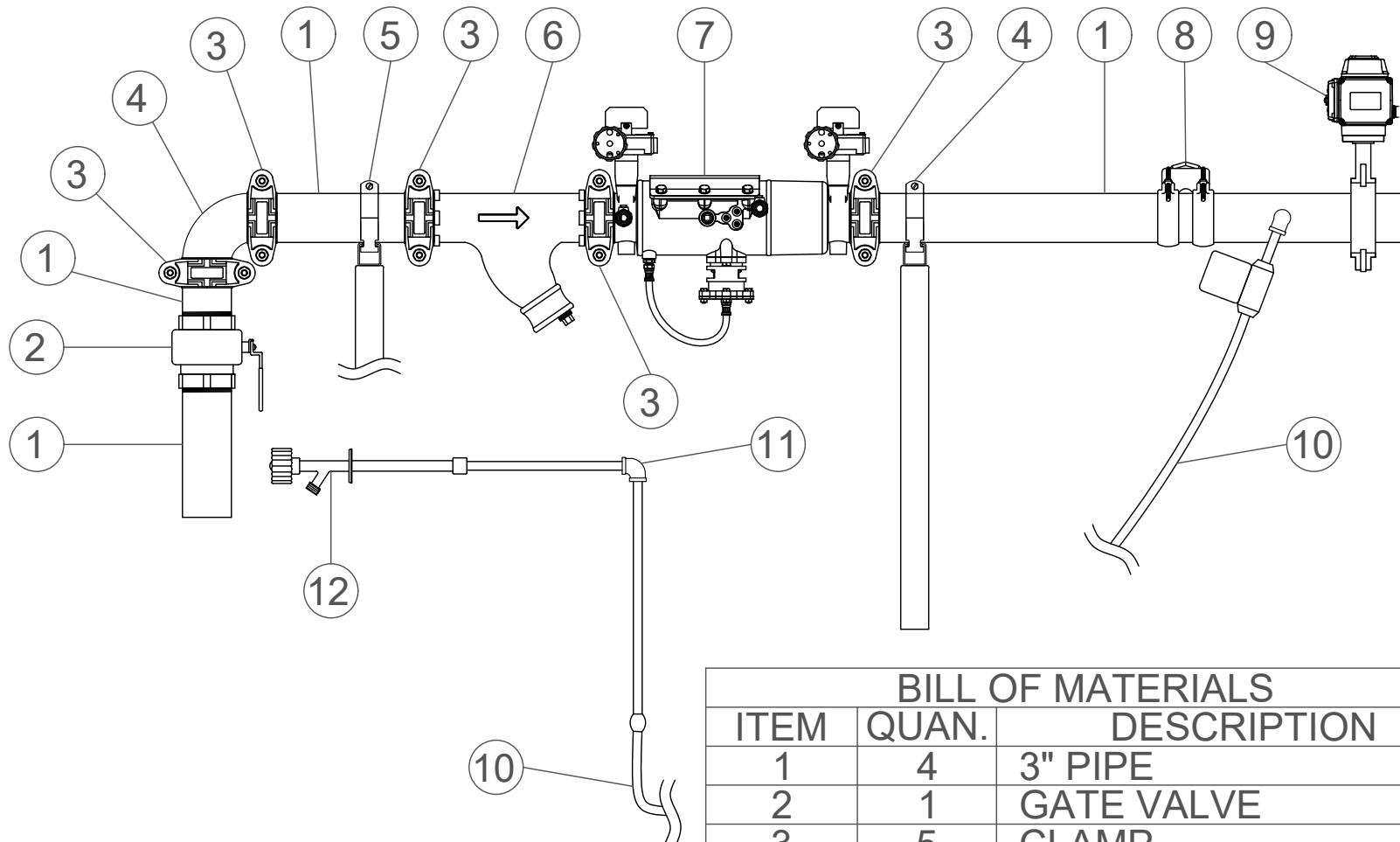
ITEM	QUAN.	DESCRIPTION
1	1	LIGHT SWITCH
2	2	LIGHTS
3	2	HEATERS
4	1	SUB PANEL
5	1	AIR CONDITIONER
6	1	DIFUSOR
7	1	CUSTOMER INTERFACE
8	1	RECEPTICLE
9	1	UPS
10		1/2" LFMS

ITEM	QUAN.	DESCRIPTION
11	1	HOSE BIB VALVE

**AQUA FLOW INT'L. INC.**  
P.O. BOX 2841  
FLAGSTAFF, AZ. 86003  
(928) 380-6164



3" SIDE WITH HOSE BIB  
LOADING STATION  
ELECTRICAL COMPONENTS  
SCALE: 1" = 1'-0"



AQUA FLOW INT'L. INC.  
 P.O. BOX 2841  
 FLAGSTAFF, AZ. 86003  
 (928) 380-6164

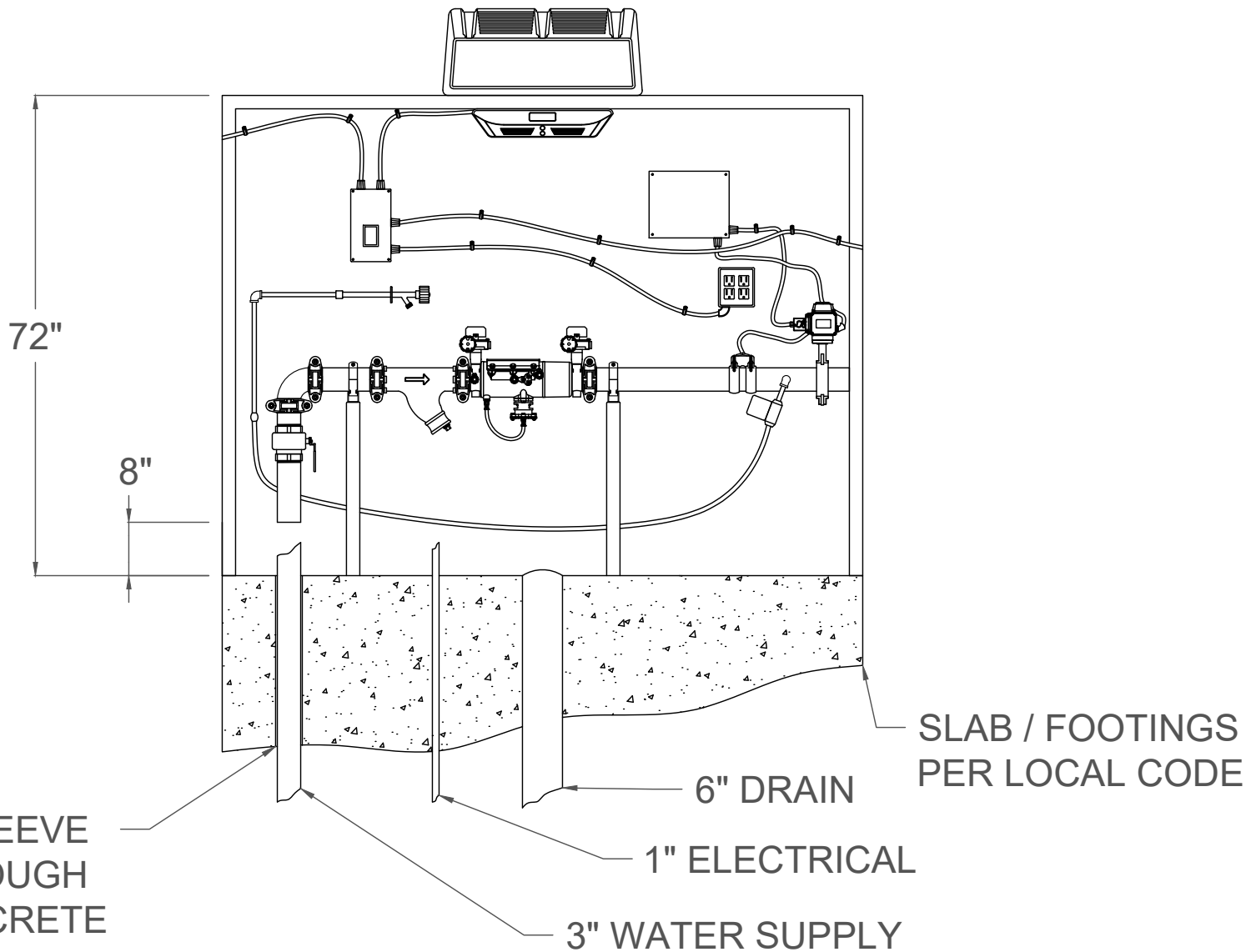


BILL OF MATERIALS		
ITEM	QUAN.	DESCRIPTION
1	4	3" PIPE
2	1	GATE VALVE
3	5	CLAMP
4	1	ELBOW
5	2	UNISTRUT CLAMP
6	1	STRAINER
7	1	BACK FLOW
8	1	FLOW SENSOR
9	1	BUTTERFLY VALVE

ITEM	QUAN.	DESCRIPTION
10		1/2" PEX
11	1	1/2" ELBOW
12	1	HOSE BIB

3" SIDE WITH HOSE BIB  
 LOADING STATION  
 PLUMBING COMPONENTS  
 SCALE: 1" = 1'-0"

6 of 9



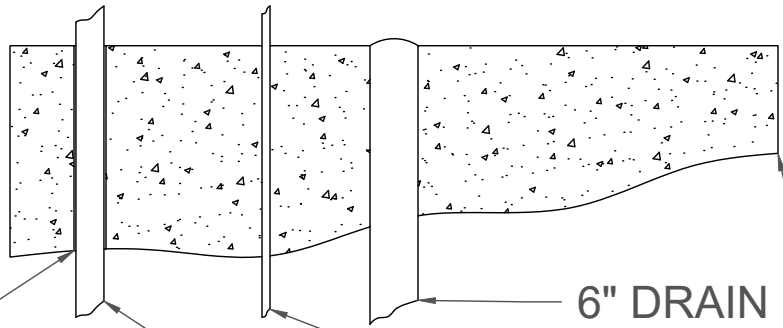
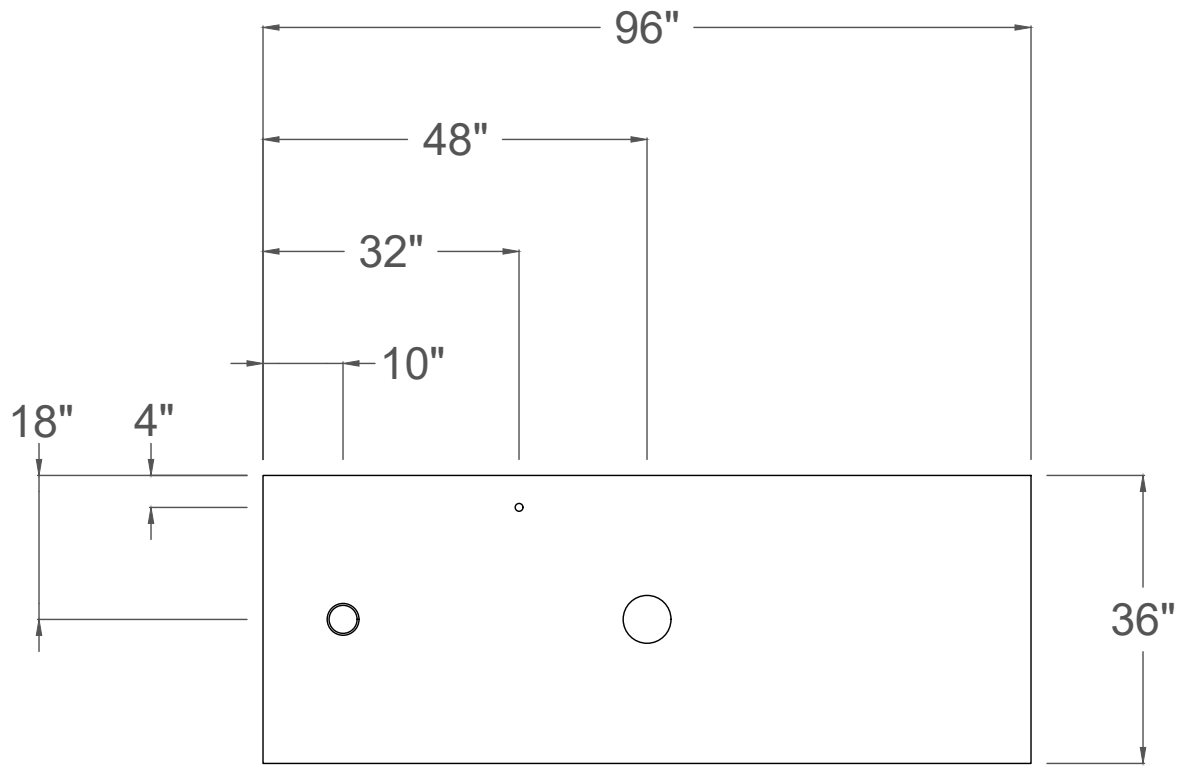
PLEASE SEE SLAB DETAILS FOR PLACEMENT OF SUPPLY AND DRAIN.

AQUA FLOW INT'L. INC.  
 P.O. BOX 2841  
 FLAGSTAFF, AZ. 86003  
 (928) 380-6164



3" SIDE WITH HOSE BIB  
 LOADING STATION  
 ENCLOSURE LAYOUT  
 PLUMBING / ELECTRICAL  
 SCALE: 1/2" = 1'-0"





SLAB / FOOTINGS PER LOCAL CODE

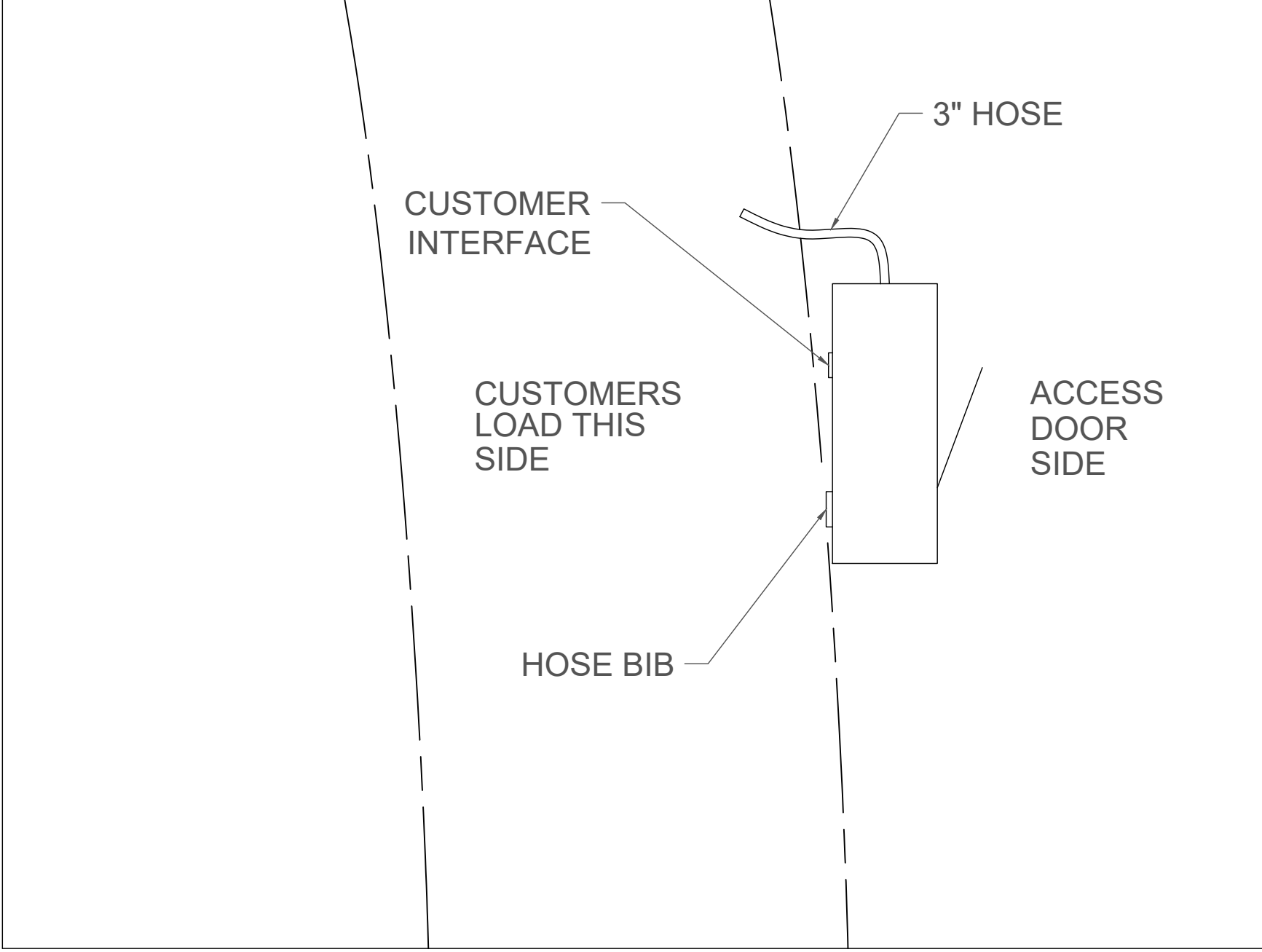
AQUA FLOW INT'L. INC.  
 P.O. BOX 2841  
 FLAGSTAFF, AZ. 86003  
 (928) 380-6164



3" SIDE WITH HOSE BIB  
 LOADING STATION

SLAB LAYOUT DETAIL

SCALE: 1/2" = 1'-0"



		
AQUA FLOW INT'L. INC. P.O. BOX 2841 FLAGSTAFF, AZ. 86003 (928) 380-6164		
3" SIDE WITH HOSE BIB LOADING STATION	SAMPLE SITE DRAWING	SCALE: 1/4" = 1'-0"
9	OF	9